

13-03-2023

Anton Tijdink

*TenneT*

**KWR**

Bridging Science to Practice



A network diagram with nodes and connecting lines, rendered in shades of blue and cyan, set against a dark blue background. The nodes are represented by small circles, and the lines are thin, creating a complex web of connections.

~  
Maarten Rinket  
*Powerspex*

**KWR**

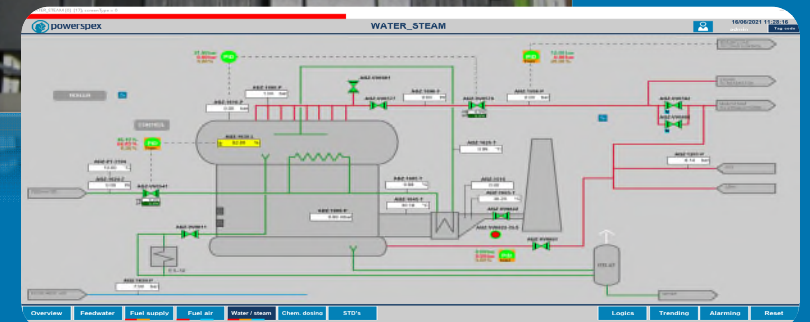
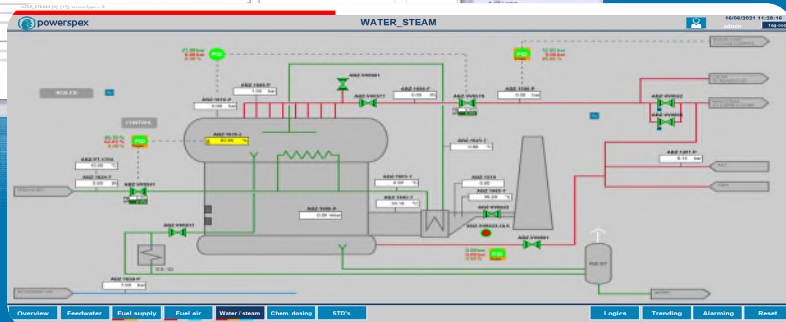
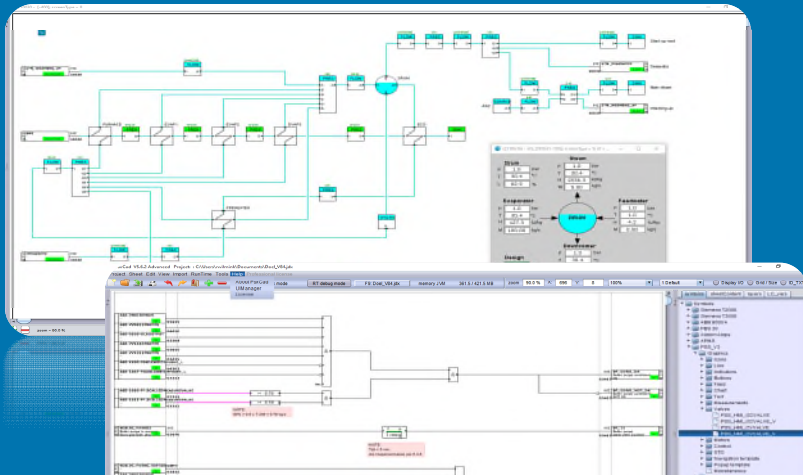
Bridging Science to Practice

# FUNCTIONAL TWIN



**A FRIEND for LIFE ?**

# FUNCTIONAL TWIN



# FUNCTIONAL TWIN

FRIEND for LIFE ?



Idee / Ontwikkelen

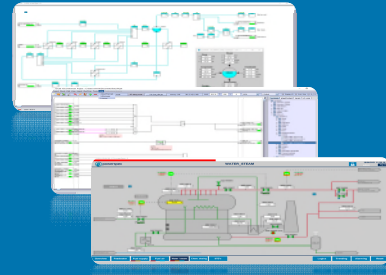
Engineering / Bouw

Nieuwe installatie

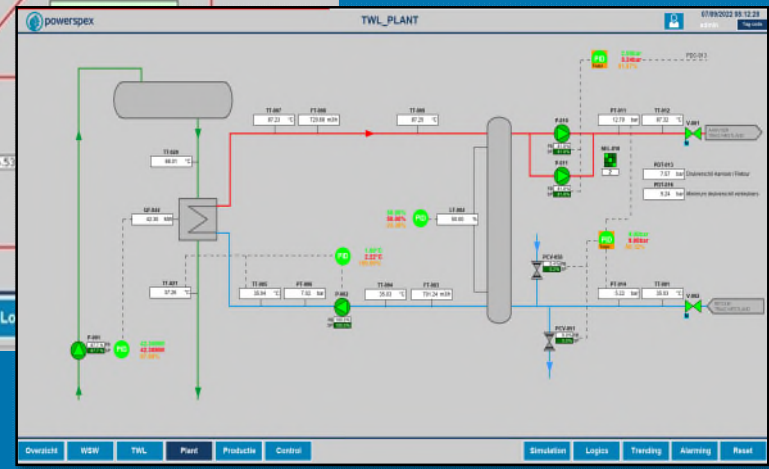
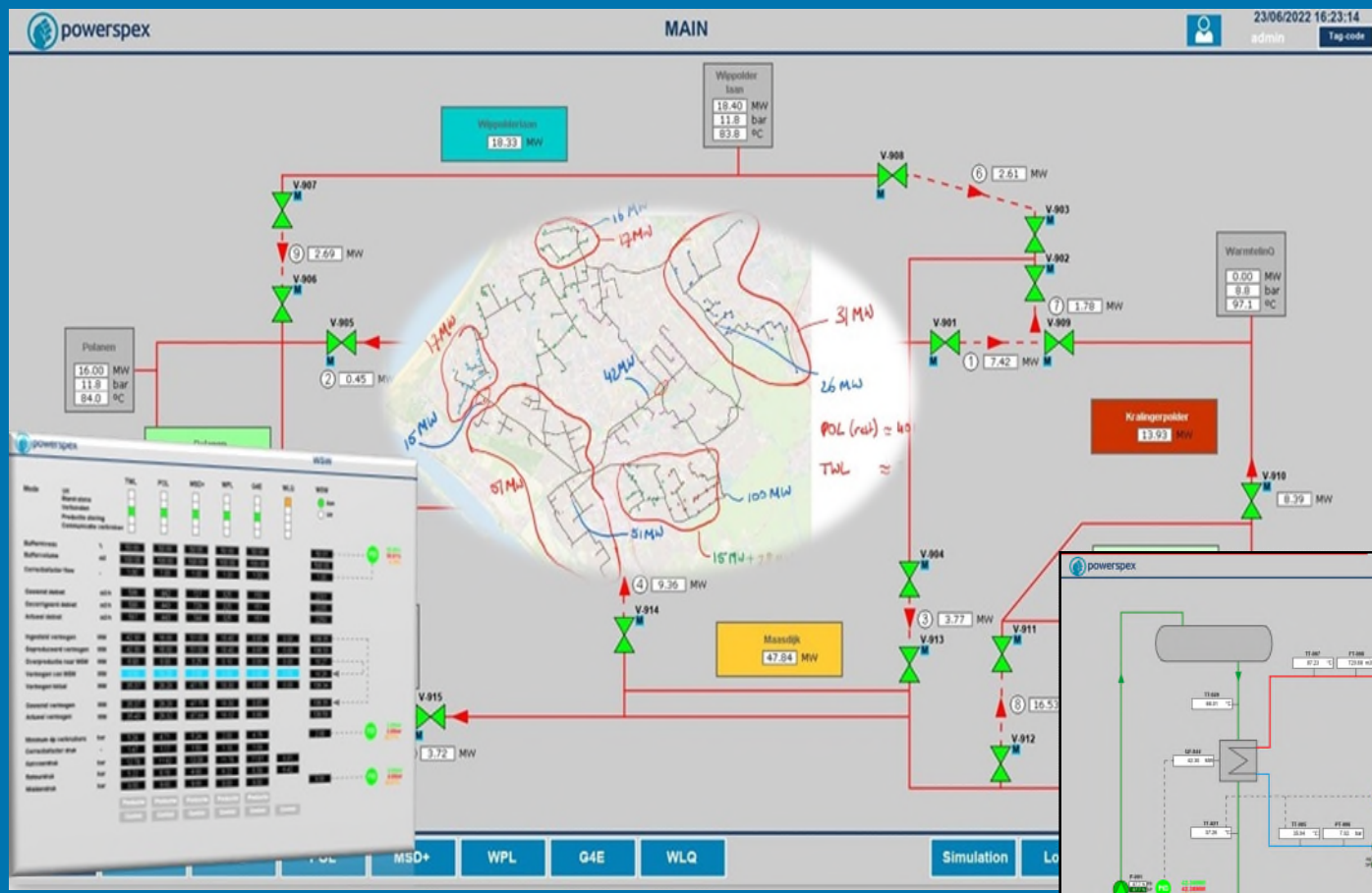
Senior installatie

LEVENSCYCLUS INSTALLATIE

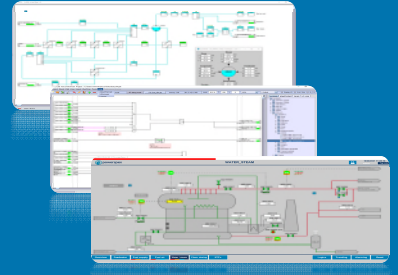
# FUNCTIONAL TWIN



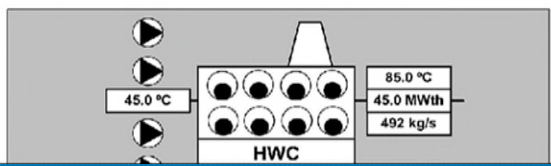
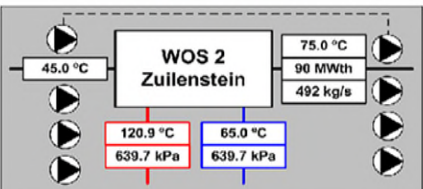
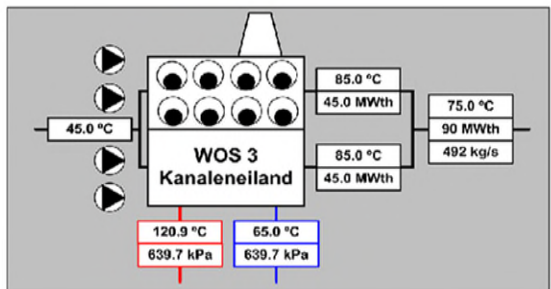
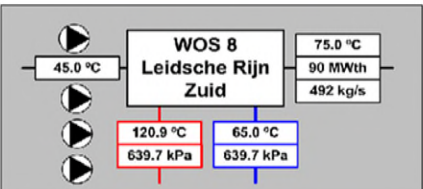
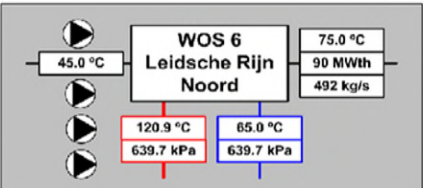
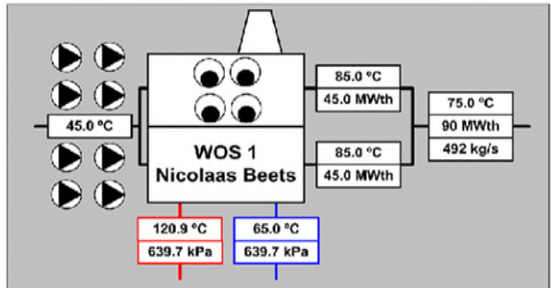
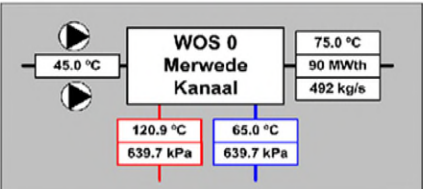
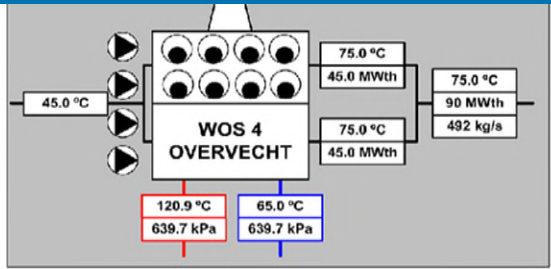
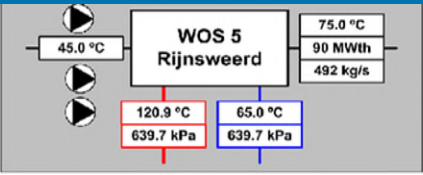
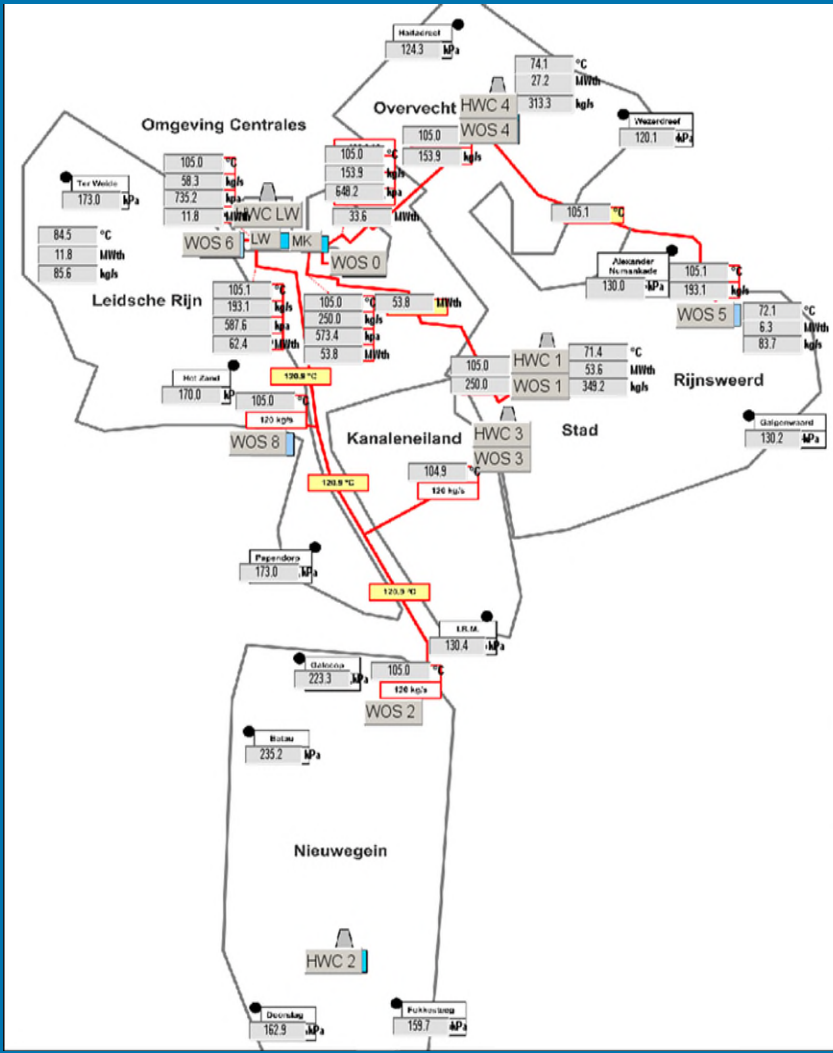
Idee / Ontwikkelen

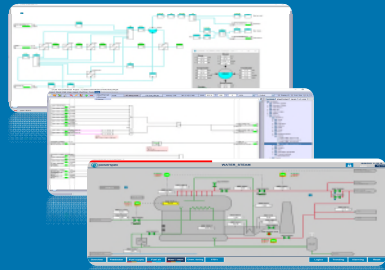


# FUNCTIONAL TWIN



Engineering / Bouw

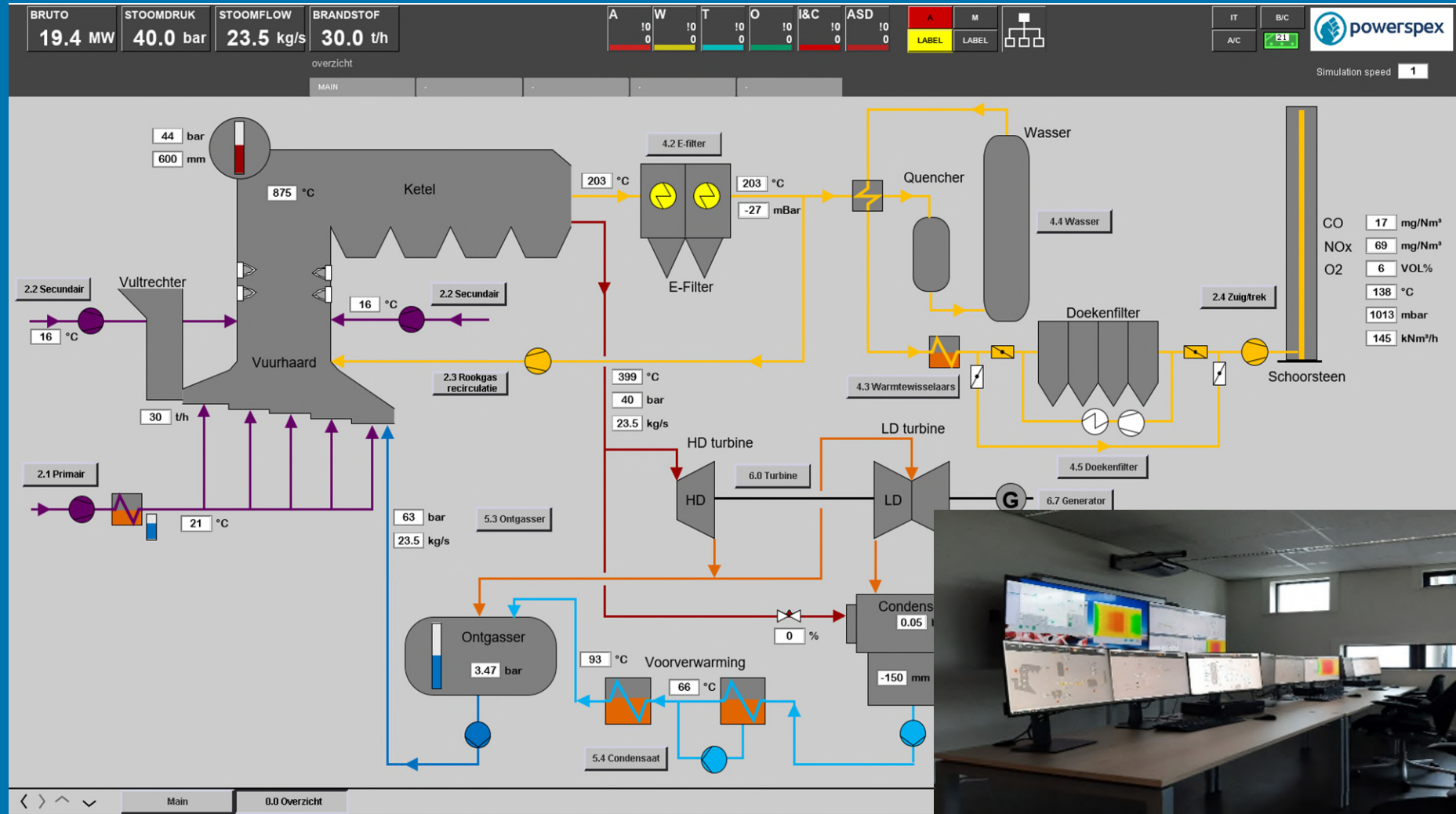




# FUNCTIONAL TWIN

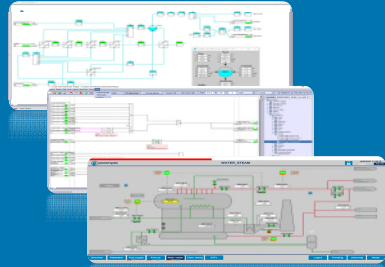


## Nieuwe installatie

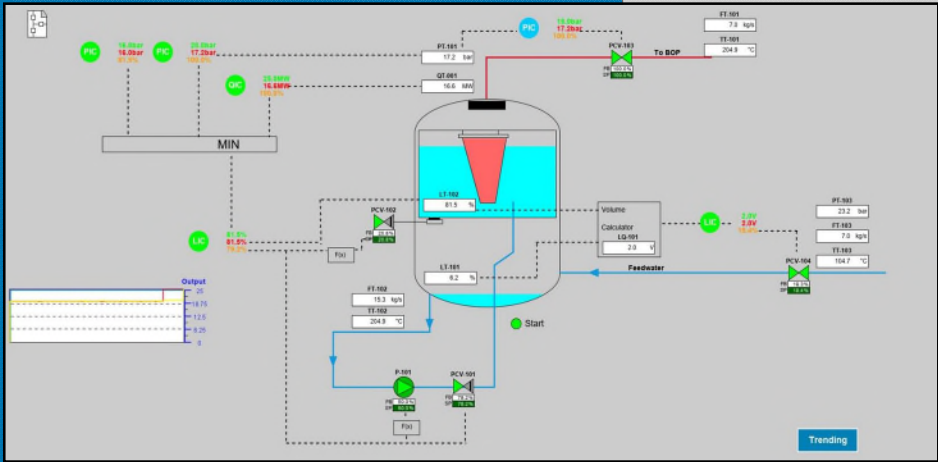
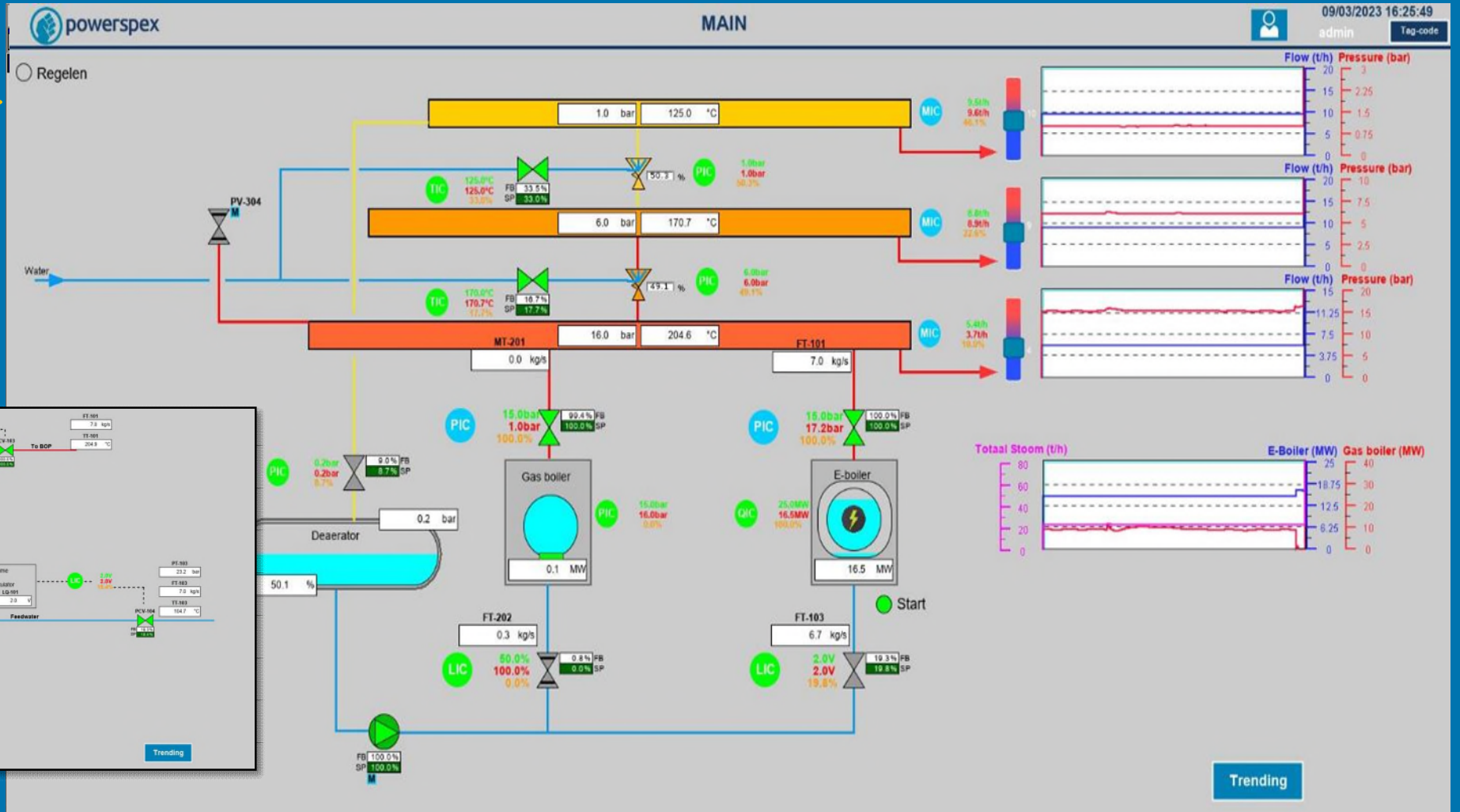




# FUNCTIONAL TWIN



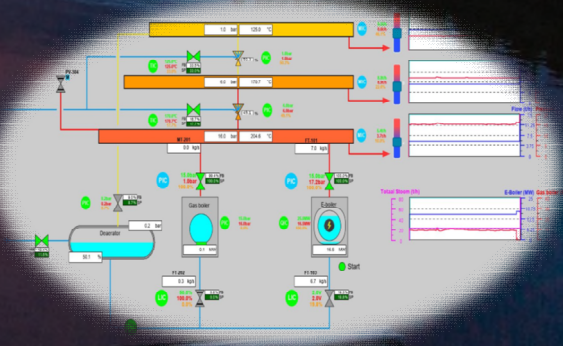
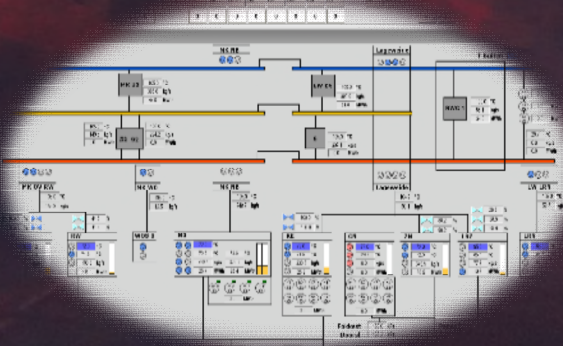
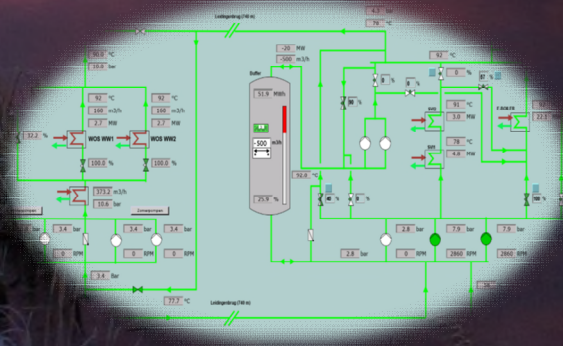
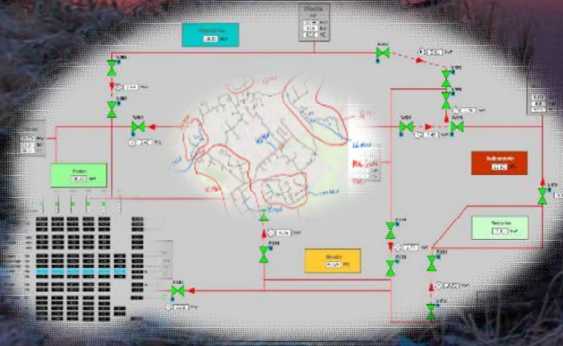
## Senior installatie



# FUNCTIONAL TWIN



A FRIEND for LIFE ?



LEVENSCYCLUS INSTALLATIE

# FUNCTIONAL TWIN

A FRIEND for LIFE !